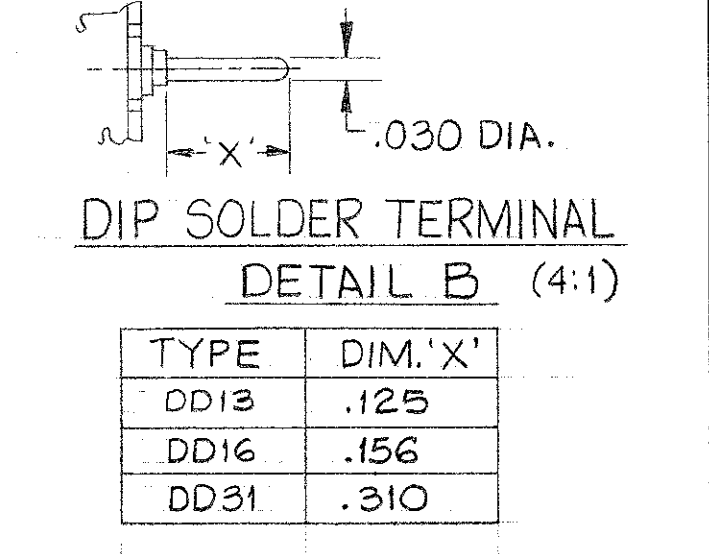
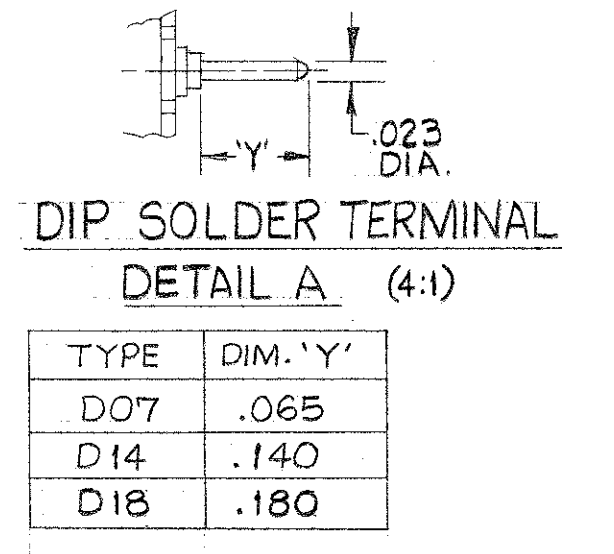
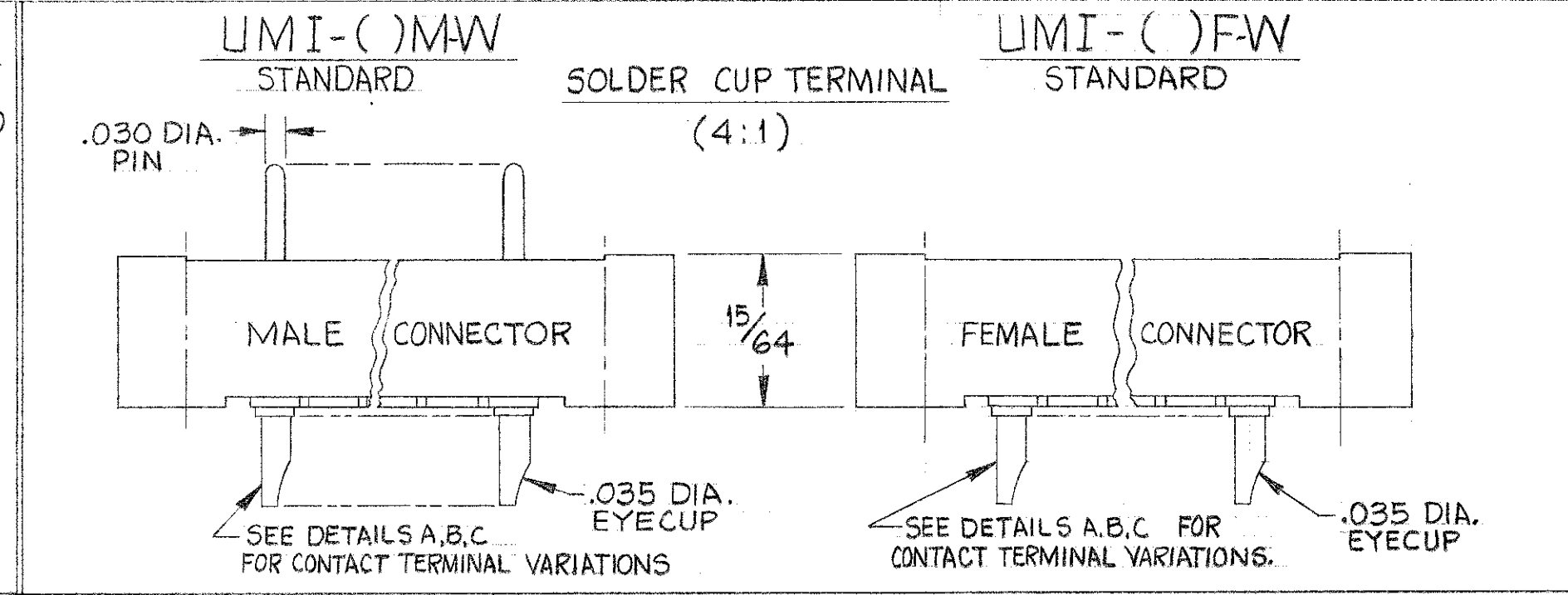
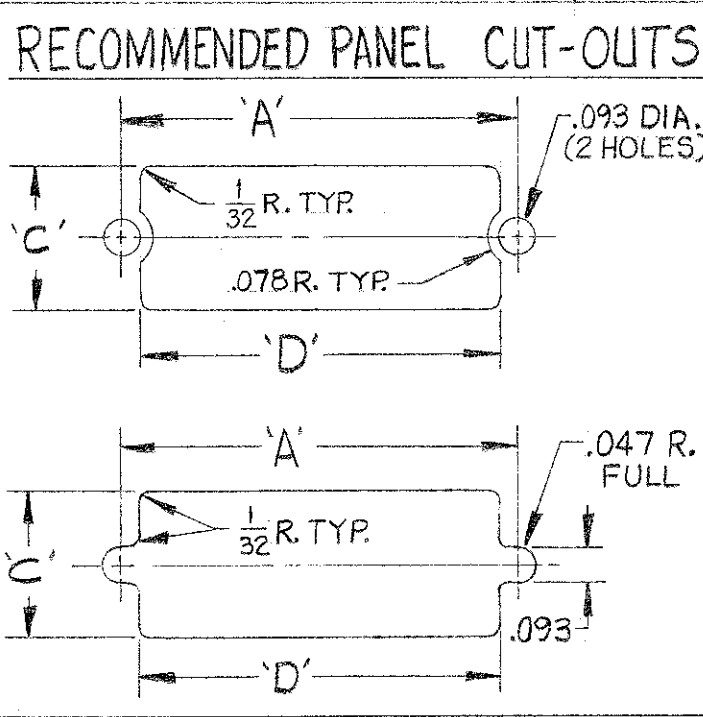


SIZE	'A'	'B'	'C'	'D' ^{+0.010} _{-0.000}
4	.562	25/32	.195	.468
5	.468	11/16	.190	.375
7	.562	25/32	.190	.468
9	.656	7/8	.190	.562
11	.532	25/32	.270	.438
14	.625	7/8	.270	.531
20	.814	1 1/16	.270	.720
26	1.000	1 1/4	.270	.906
29	1.094	1 1/32	.270	1.000
34	1.032	1 1/4	.380	.938
44	1.281	1 1/2	.380	1.187
50	1.408	1 5/8	.380	1.314

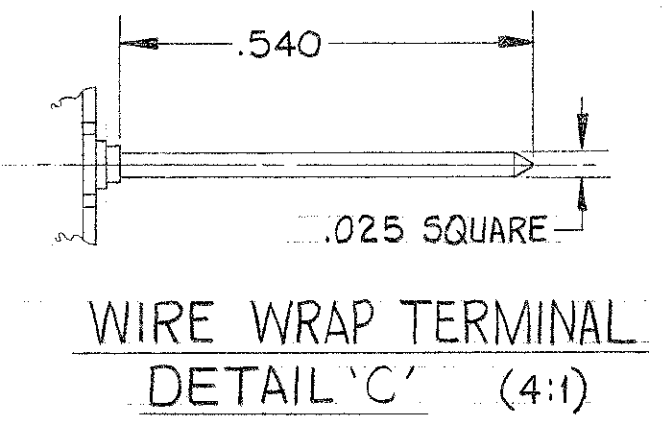
REVISIONS			
SYM.	DESCRIPTION	DATE	APP'D.
E	SEE SHEET 1	11/5/93	JLL



NOTES:
 1-MATERIAL & FINISHES:
 MOLDING - DIALLYL PHTHALATE PER MIL-M-14, TYPE 5DG-F.
 CONTACTS - SPRING TEMPER PHOSPHOR BRONZE PER QQ-B-750, GOLD PLATED OVER COPPER OR BERYLLIUM COPPER PER QQ-C-530, GOLD PLATED OVER COPPER.
 'C' WASHER - SPRING TEMPER PHOSPHOR BRONZE PER QQ-B-750, GOLD PLATED OVER COPPER.
 SCREWLOCKS, NUTS, WASHERS - STAINLESS STEEL NON-MAGNETIC, PASSIVATED.
 GUIDES - BRASS ASTM B16, GOLD PLATED OVER COPPER OR STAINLESS STEEL #303, PASSIVATED.
 HOODS & C. CLAMPS, BRACKET - ALUMINUM, ANODIZED PER MIL-M-8625A.
 KNOBS, SET SCREWS, NUTS - STEEL, CADMIUM PLATED PER QQ-P-416, IRIDESCENT GOLD COLOR.
 RET. RING - BRASS PER QQ-B-626, NICKEL PLATED.
 C.C. SCREWS - BRASS, CADMIUM PLATED PER QQ-P-416, IRIDESCENT GOLD COLOR.
 LOCKWASHER - PHOSPHOR BRONZE, CADMIUM PLATED PER QQ-P-416, IRIDESCENT GOLD COLOR.

2-ELECTRICAL SPECIFICATIONS:
 CONTACT SIZE - NO. 22 (.030 DIA.) ACCOMMODATES NO. 22 A.W.G. WIRE.
 CONTACT RATING - 5 AMPS.
 CREEPAGE PATH BETWEEN CONTACTS - 1/16 MIN.
 AIR SPACE BETWEEN CONTACTS - .031 MIN.

	TEST VOLTAGE	WORKING VOLTAGE
SEA LEVEL	1000 VOLTS A.C. RMS.	490 VOLTS D.C.
70,000	300 VOLTS A.C. RMS.	125 VOLTS D.C.

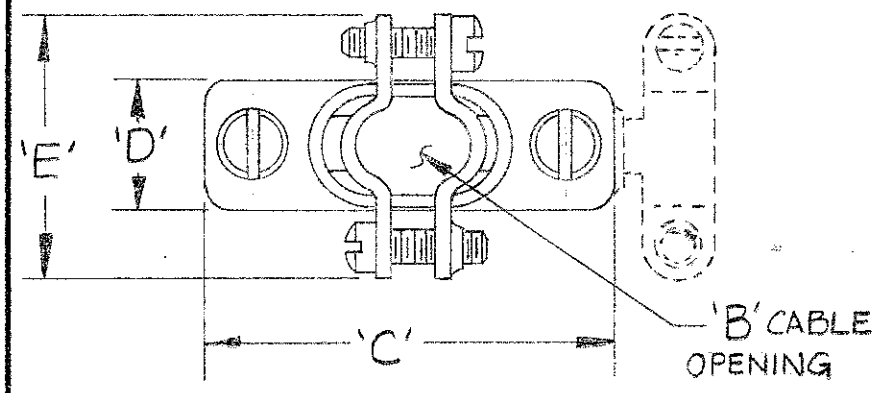
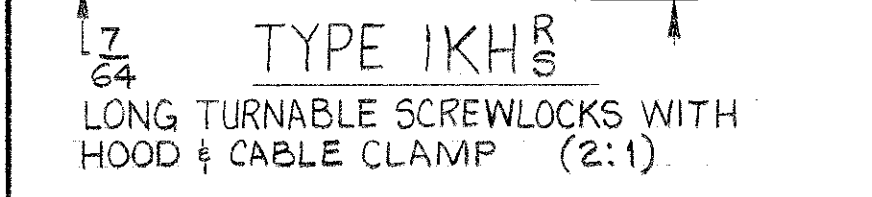
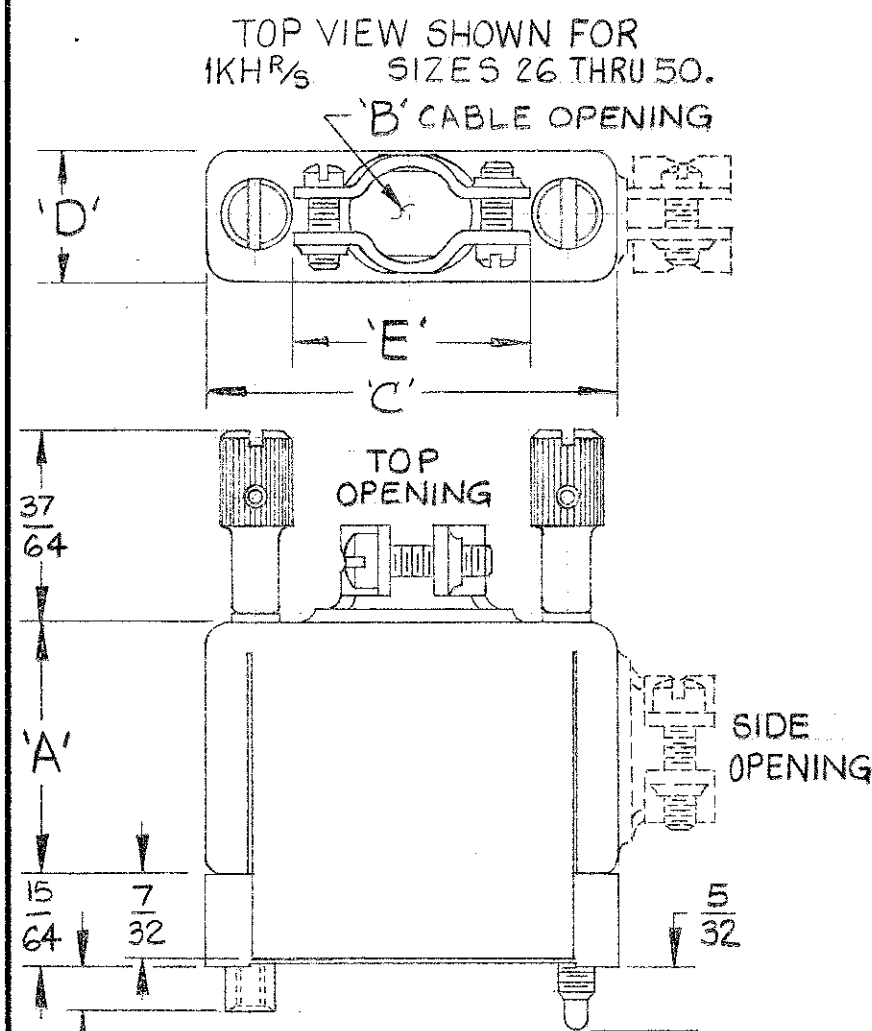


EFFECTIVE APRIL 21, 1989 THIS DRAWING BECAME THE PROPERTY OF LITTON SYSTEMS, INCORPORATED WINCHESTER ELECTRONICS DIVISION 400 PARK RD., WATERTOWN, CT 06795

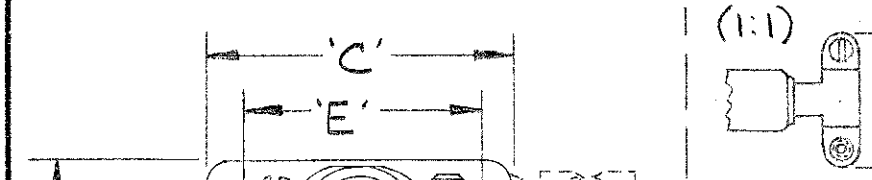
THIS DRAWING, THE DESIGNS, AND IDEAS EMBODIED IN THE DEVICE TO WHICH IT RELATES, AND THE METHODS OF PRODUCING THE DEVICE ARE THE PROPERTY OF U. S. COMPONENTS, INC. AND SHALL NOT BE EMPLOYED, COPIED, OR DISCLOSED TO ANYONE, IN ANY MANNER WITHOUT THE CONSENT OF U. S. COMPONENTS, INC.

NEXT ASSY	USED ON
APPLICATION	
TOLERANCES UNLESS OTHERWISE SPECIFIED	SCALE AS NOTED
DECIMALS ± .005	FRACTIONS ± 1/64
ANGULAR ±	

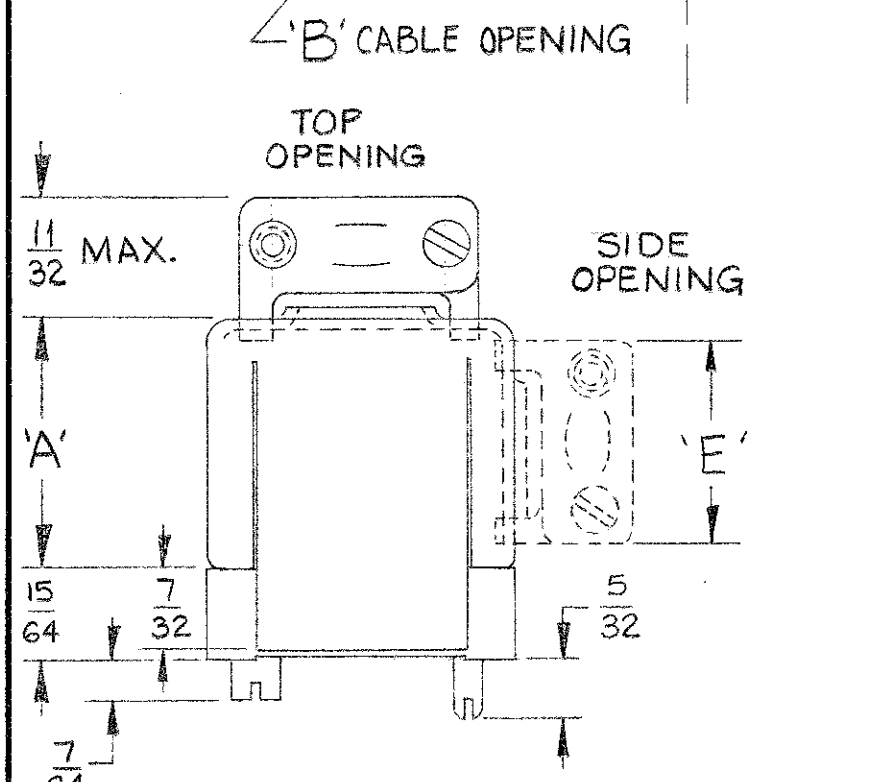
U.S. COMPONENTS INC. 35 CARLOUGH ROAD BOHEMIA, N.Y. 11716			
TITLE COMPOSITE OUTLINE ASSY, UMI-() M/F CONNECTOR			
MATERIAL	DRAWN BY	DATE	
	JLL	3/18/87	
FINISH	APP'D. BY	DATE	
	JLL	4/24/87	
DRAWING NUMBER	REV.		
093008 SH.2 OF 4	E		



TOP VIEW SHOWN FOR IKHR_s SIZES 5 THRU 20.

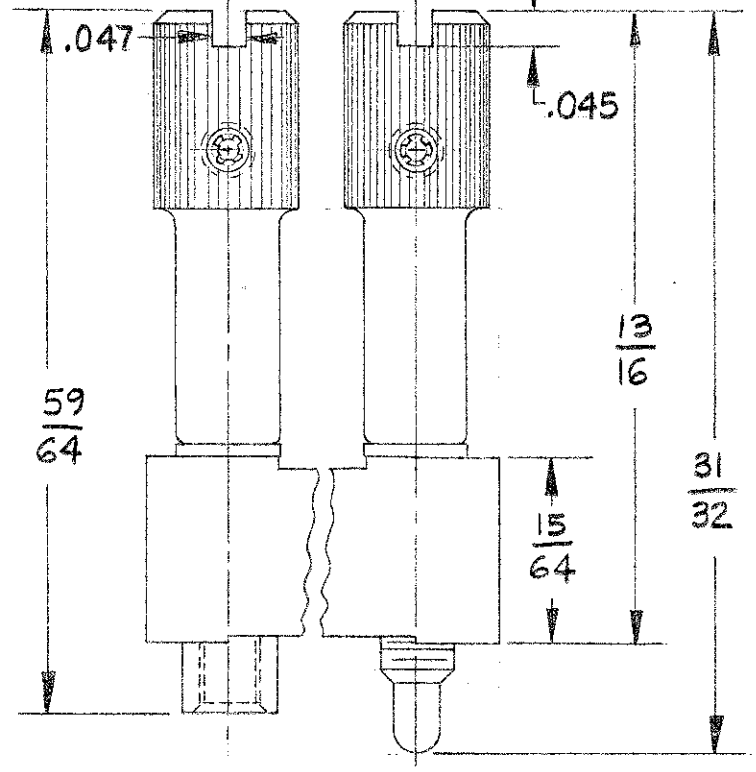


TOP VIEW FOR HS & SSH SIZES 5 THRU 34 ONLY.



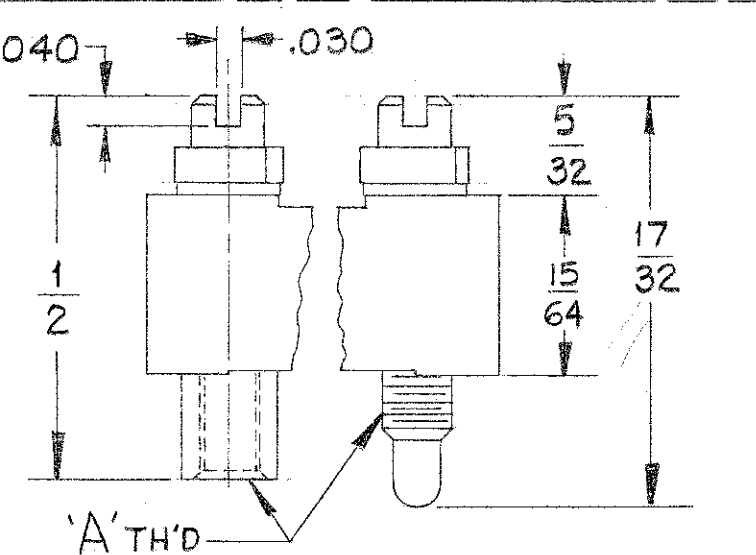
TYPE HS_s & SSH_s

STANDARD GUIDES WITH HOOD & CABLE CLAMP. ST. ST. GUIDES WITH HOOD & CABLE CLAMP. (2:1)



TYPE IK

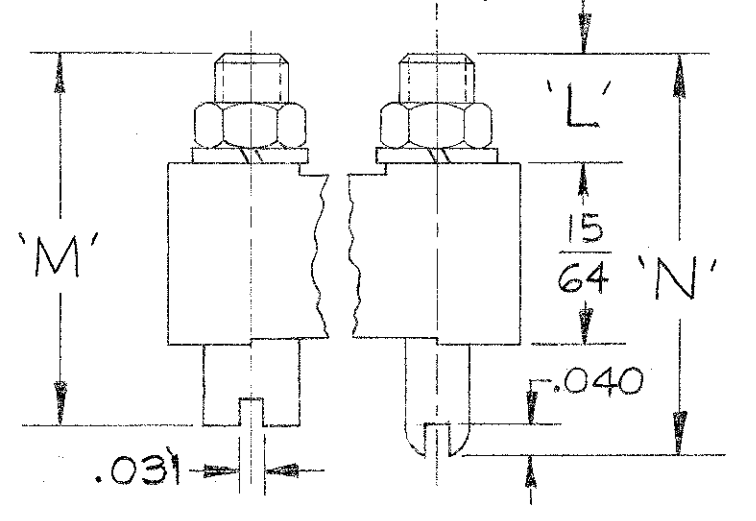
2-56 TH'D SHORT TURNABLE SCREWLOCKS WITH KNOB (4:1)



TYPE IKL & 2KL

TYPE	'A' THREAD
IKL	2-56
2KL	3-48

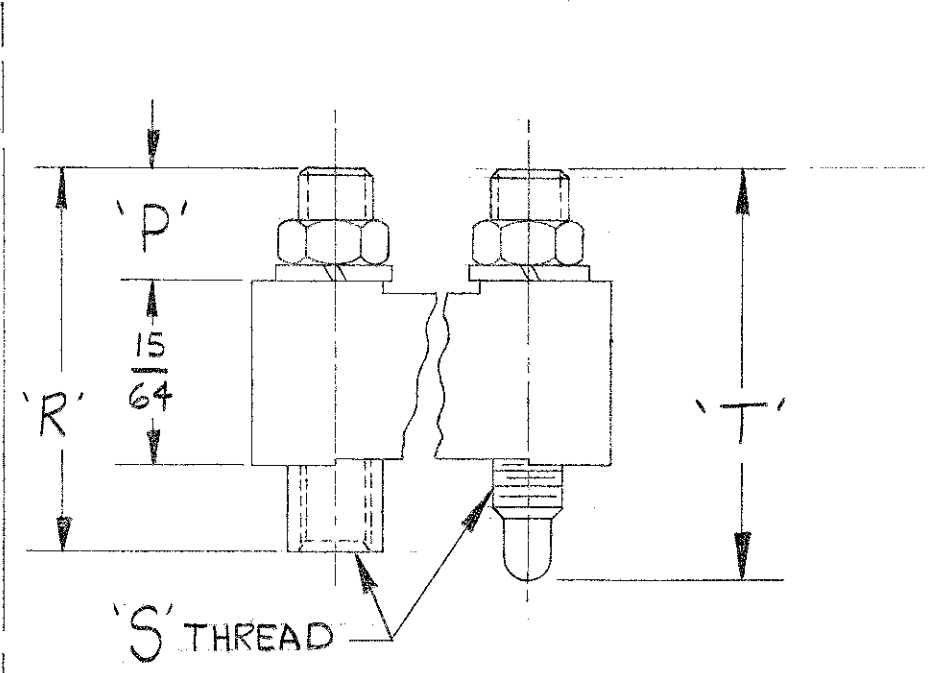
SHORT TURNABLE SCREWLOCKS KNOBLESS (4:1)



TYPE GUIDES

STANDARD POLARIZED BRASS GUIDES OR OPTIONAL STAINLESS STEEL GUIDES .150 MTG. STUD EXT. OR .250 MTG. STUD EXT. (4:1)

STYLE	'L'	'M'	'N'
ST'D	.150	.484	.531
SS	.150	.484	.531
SS25	.250	.578	.625



TYPE SCREWLOCKS

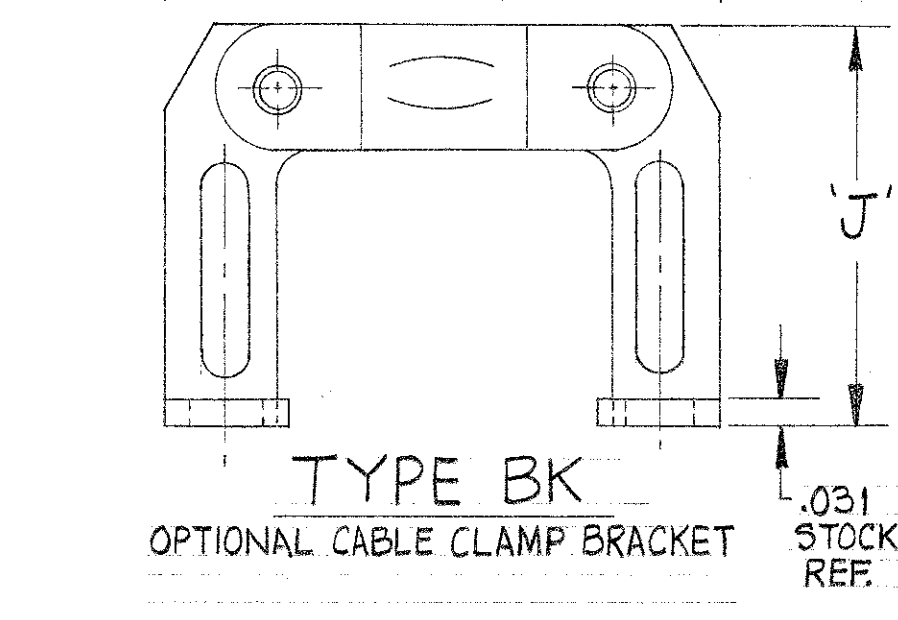
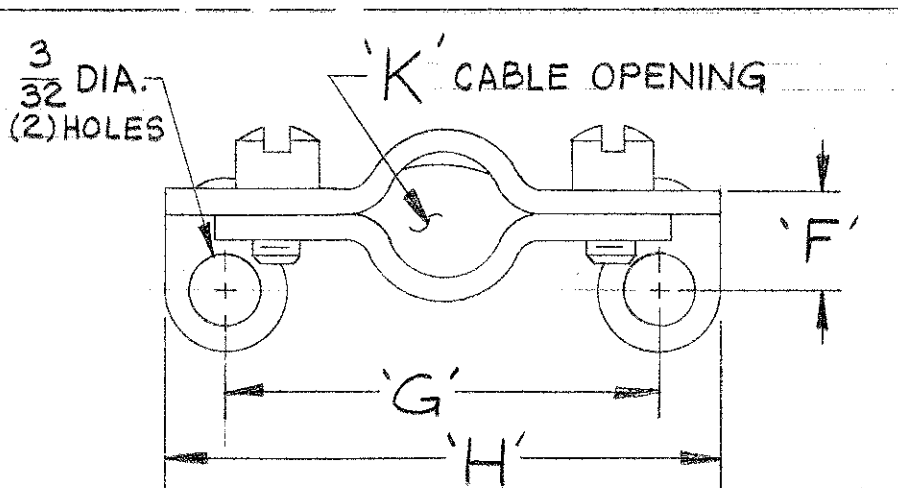
FIXED SCREWLOCKS-CHASSIS MTG. (4:1)

STYLE	'P'	'R'	'S' THREAD	'T'
1SL	.150	.500	2-56	.543
2SL	.150	.500	3-48	.543
1SL25	.250	.590	2-56	.630
2SL25	.250	.590	3-48	.630

ON MALE CONNECTORS FEMALE GUIDE OR SCREWLOCK MOUNTED AT 'A' END.
ON FEMALE CONNECTORS MALE GUIDE OR SCREWLOCKS MOUNTED AT 'A' END.

SIZE	'D' REF.	'A'	'B' CABLE OPENING IKHR _s	'B' CABLE OPENING HR _s	'C'	'E' HS & SSH _s	'E' HR & SSH _s	'E' IKHR _s	'F' REF.	'G' ±.010	'H' REF.	'J' MAX.	'K' CABLE OPENING REF.
5	1/4	5/8	.18 x .33	.18 x .24	11/16	19/32	39/64	19/32	—	—	—	—	—
7	1/4	5/8	.18 x .33	.18 x .33	25/32	19/32	39/64	19/32	.130	.562	.72	.50	.13 x .16
9	1/4	5/8	.18 x .33	.18 x .33	7/8	19/32	39/64	19/32	.130	.656	.81	.50	.13 x .16
11	21/64	5/8	.24 x .33	.24 x .33	25/32	19/32	39/64	19/32	.130	.532	.69	.50	.17 x .22
14	21/64	5/8	.24 x .33	.24 x .33	7/8	19/32	39/64	11/16	.130	.625	.78	.50	.17 x .22
20	21/64	5/8	.24 x .46	HR .24 x .46 HS .18 x .31	1 1/16	19/32	53/64	11/16	.130	.814	.97	.87	.26 x .31
26	21/64	5/8	.24 x .46	.24 x .46	1 1/4	11/16	53/64	53/64	.130	1.000	1.16	.87	.39 x .44
29	21/64	5/8	.24 x .46	.24 x .46	1 11/32	11/16	53/64	53/64	.130	1.094	1.25	.87	.39 x .44
34	7/16	5/8	.34 x .46	.34 x .46	1 1/4	11/16	53/64	53/64	.190	1.032	1.19	.87	.42 x .47
44	7/16	1 3/16	.34 x .46	.34 x .46	1 1/2	53/64	53/64	53/64	.190	1.281	1.44	.87	.46 x .53
50	7/16	1 3/16	.34 x .46	.34 x .46	1 5/8	53/64	53/64	53/64	.190	1.408	1.56	.87	.46 x .53

REVISIONS			
SYM.	DESCRIPTION	DATE	APP'D.
E	SEE SHEET 1	11/5/80	[Signature]



EFFECTIVE APRIL 21, 1989 THIS DRAWING BECAME THE PROPERTY OF LITTON SYSTEMS, INCORPORATED WINCHESTER ELECTRONICS DIVISION 400 PARK RD., WATERTOWN, CT 06795

THIS DRAWING, THE DESIGNS, AND IDEAS EMBODIED IN THE DEVICE TO WHICH IT RELATES, AND THE METHODS OF PRODUCING THE DEVICE ARE THE PROPERTY OF U. S. COMPONENTS, INC. AND SHALL NOT BE EMPLOYED, COPIED, OR DISCLOSED TO ANYONE, IN ANY MANNER WITHOUT THE CONSENT OF U. S. COMPONENTS, INC.

U.S. COMPONENTS INC. 35 CARLOUGH ROAD BOHEMIA, N.Y. 11716	
TITLE COMPOSITE OUTLINE ASSY, UMI- () 1/2" CONNECTOR	
MATERIAL	DRAWN BY ER 5-23-87
FINISH	DATE 4-24-87
SCALE AS NOTED	DRAWING NUMBER 093008 ST 3 OF 4
TOLERANCES UNLESS OTHERWISE SPECIFIED	REV. E
DECIMALS ±	FRACTIONS ±
ANGULAR ±	

4

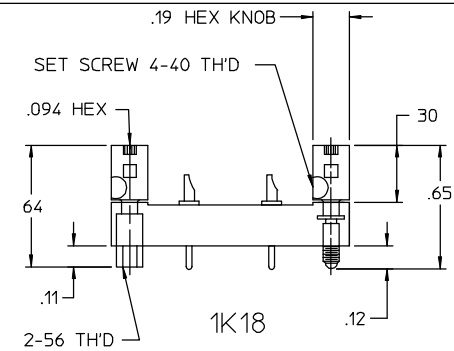
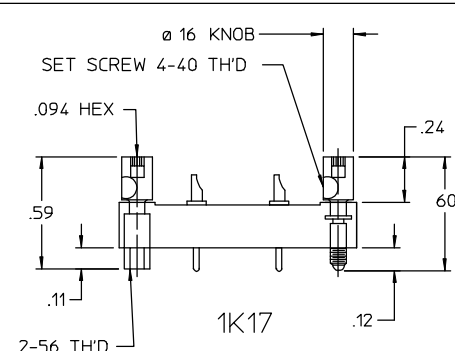
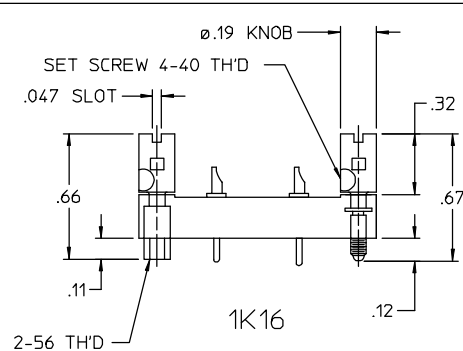
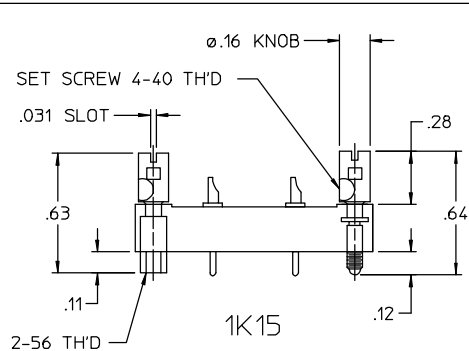
3

2

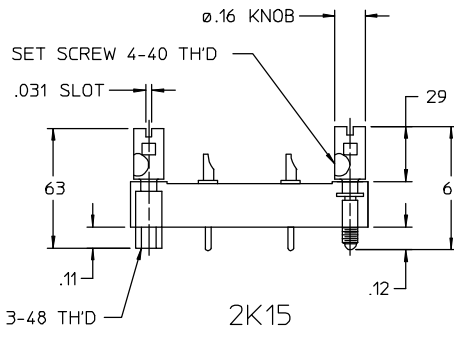
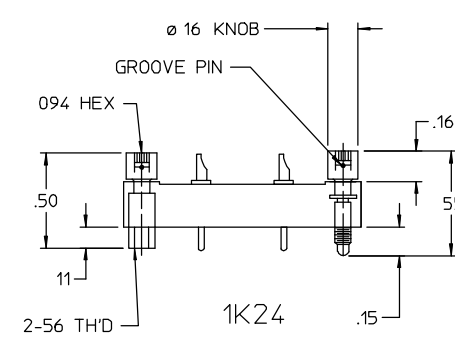
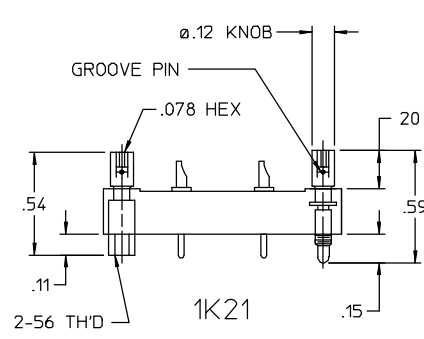
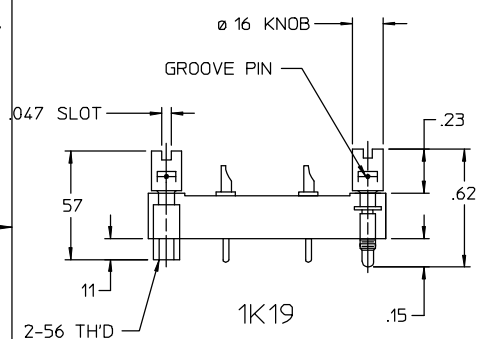
1

OPTIONAL KNOB CONFIGURATIONS FOR TURNABLE JACKSCREWS

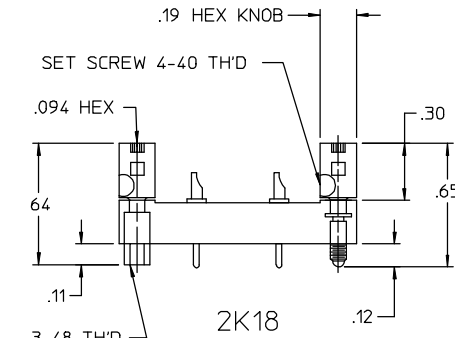
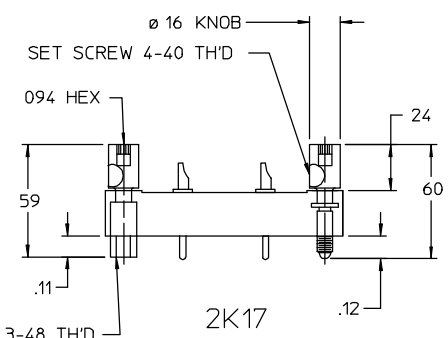
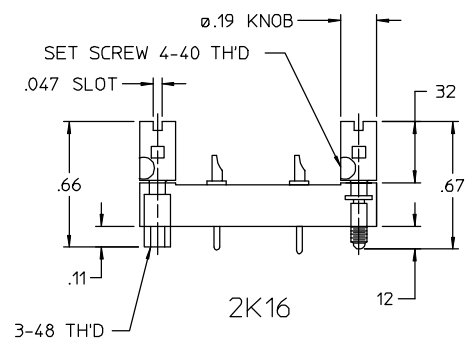
D



C



B



A

THIS DRAWING IS THE PROPERTY OF WINCHESTER ELECTRONICS CORPORATION. IT IS TO BE USED ONLY FOR THE PURPOSES SPECIFIED HEREON. IT IS NOT TO BE REPRODUCED, COPIED, OR TRANSMITTED IN ANY FORM OR BY ANY MEANS, ELECTRONIC OR MECHANICAL, INCLUDING PHOTOCOPYING, RECORDING, OR BY ANY INFORMATION STORAGE AND RETRIEVAL SYSTEM, WITHOUT THE WRITTEN PERMISSION OF WINCHESTER ELECTRONICS CORPORATION.	BY: JMG	DATE: 11/05/90
	DESCRIPTION: REVISED & REDRAWN	ECR#: 1550
		ECR#: 1821
	REV: E	

4

3

2

1

PER ANSI Y14.5M-1982
UNLESS OTHERWISE SPECIFIED
DIMENSIONS ARE IN INCHES.
TOLERANCES
DECIMALS .XX ±
XXX ±
ANGLES ± SCALE:



DISY. CODE
Litton
Winchester Electronics
400 Park Road
Watertown, Connecticut
06795

MATERIAL	DATE	CHECKED	DATE
FINISH	J.M.G.	11/14/90	
DRAWN	DATE	APPROVED	DATE
APPROVED			

TITLE COMPOSITE OUTLINE ASSY. UMI- () M/F CONNECTOR	
C	093008
SHT. 4 OF 4	REV. E